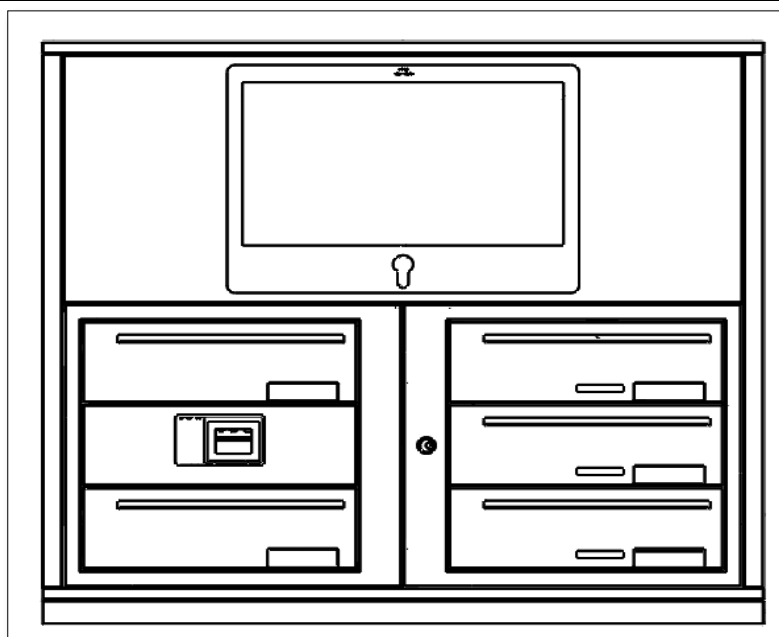
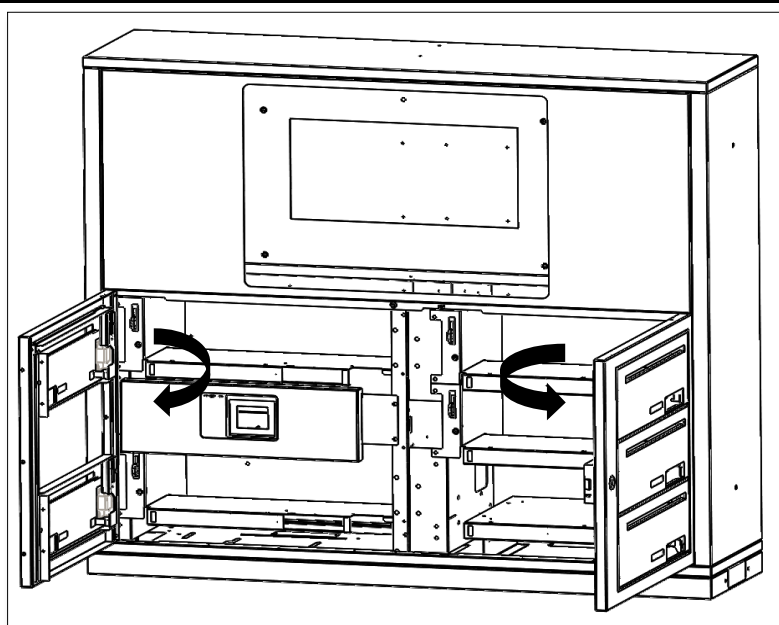


APTUS DISPLAY MOUNTING INSTRUCTION



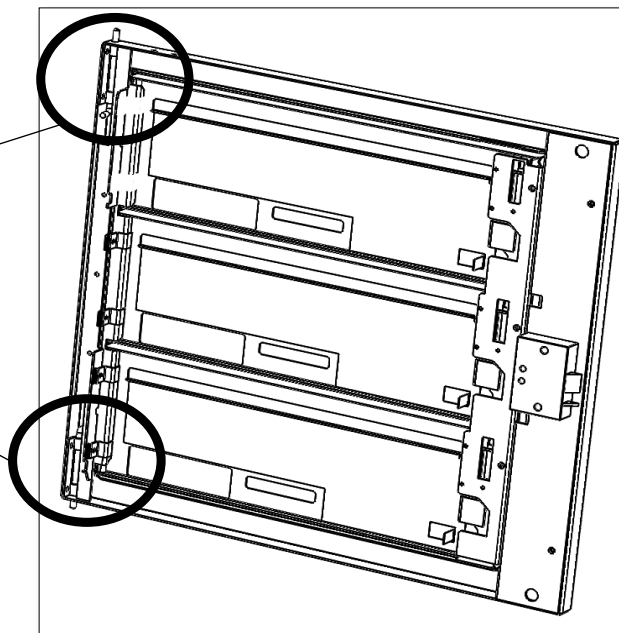
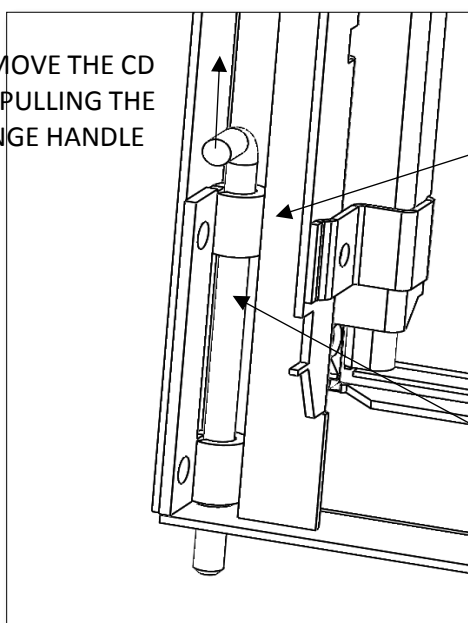
1



OPEN CENTRAL
DOORS

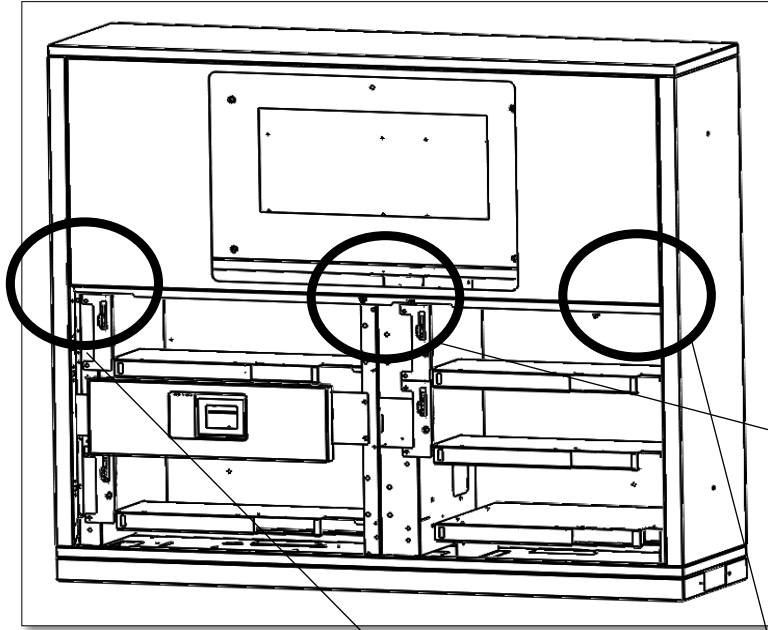
2

REMOVE THE CD
BY PULLING THE
HINGE HANDLE

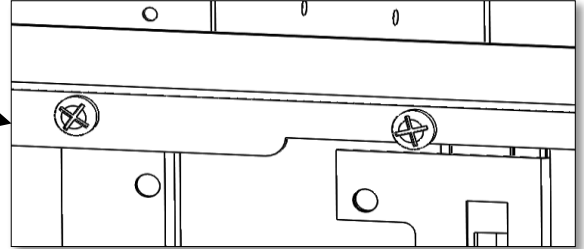


3

APTUS DISPLAY MOUNTING INSTRUCTION

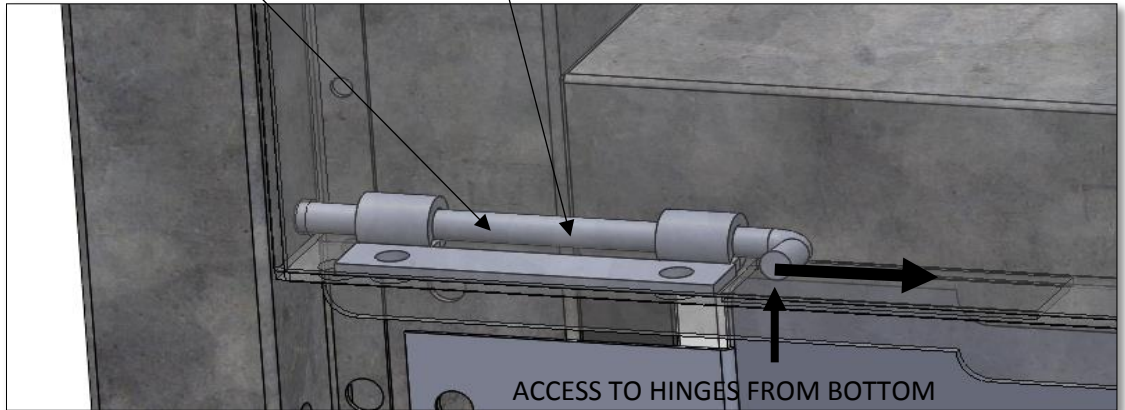


REMOVE 2PCS OF SCREWS M5

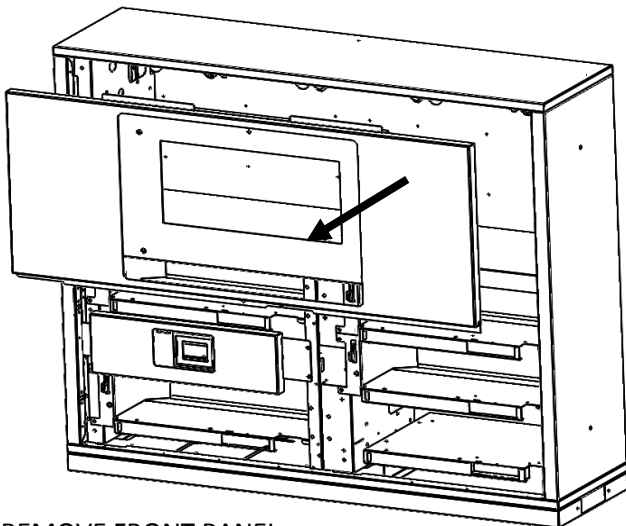


4

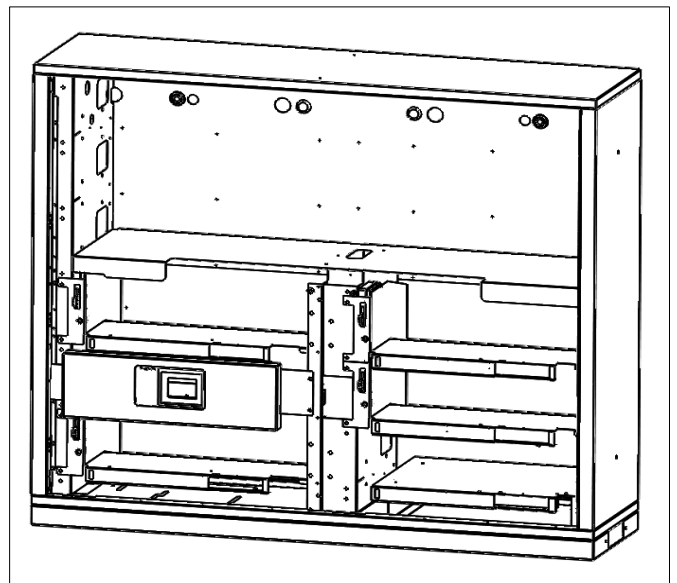
REMOVE THE FRONT PANEL BY UNLOCKING THE SIDE HINGES



5

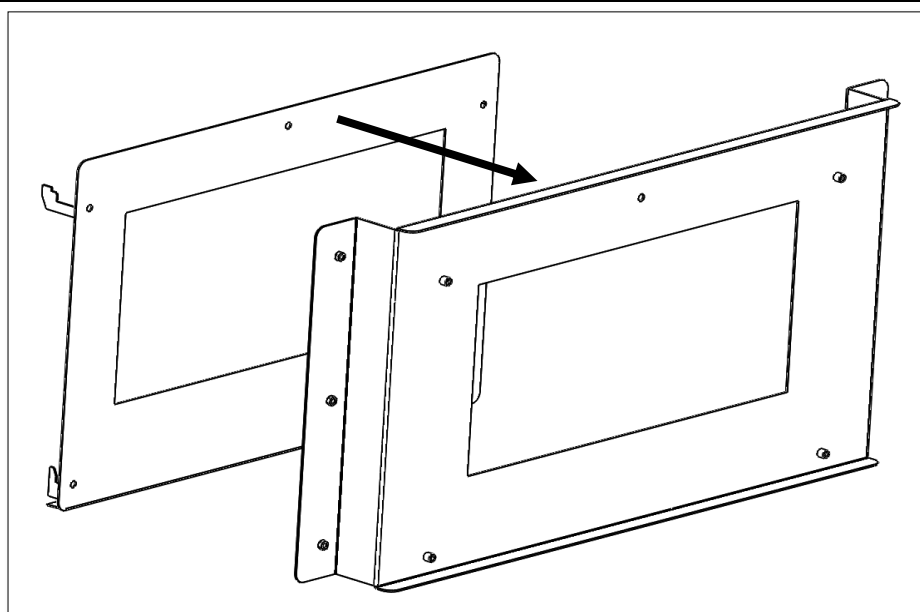
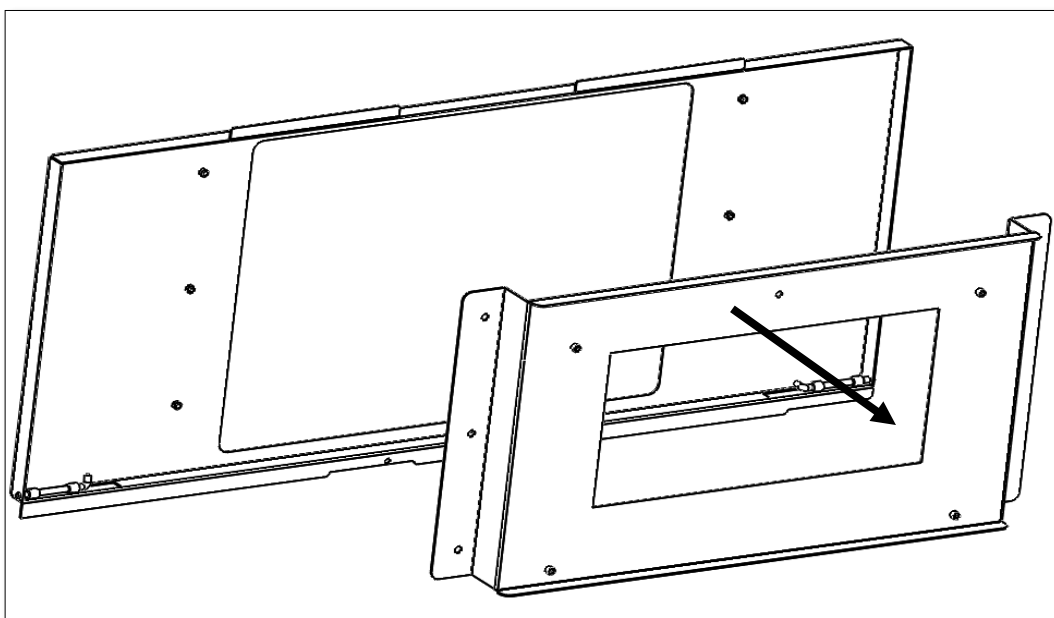
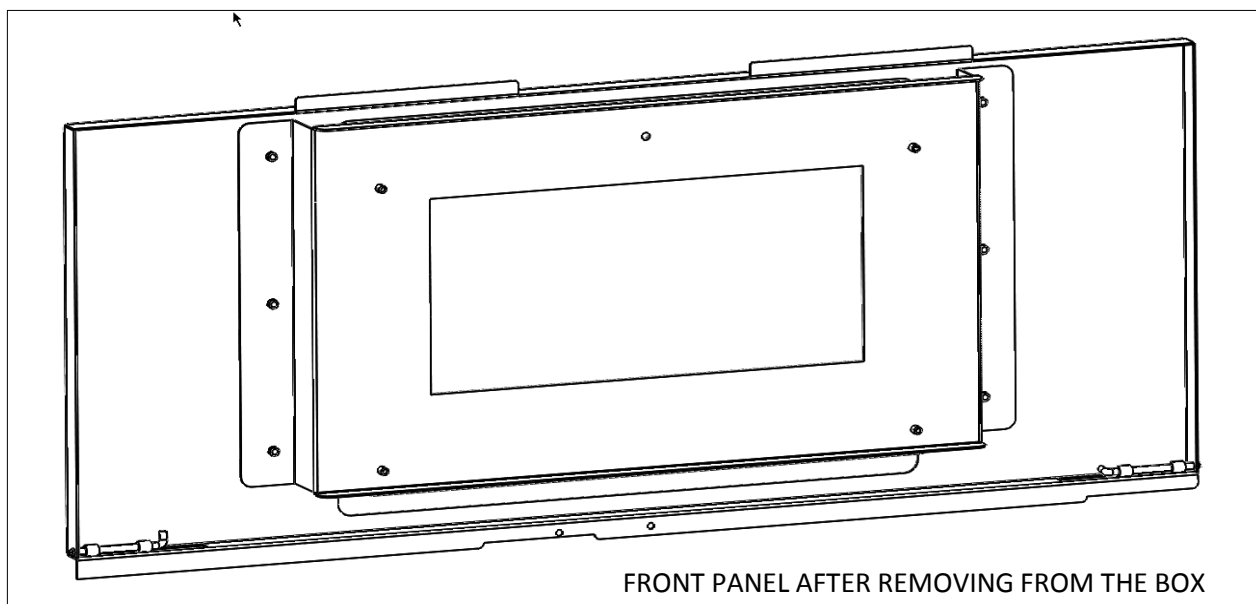


REMOVE FRONT PANEL

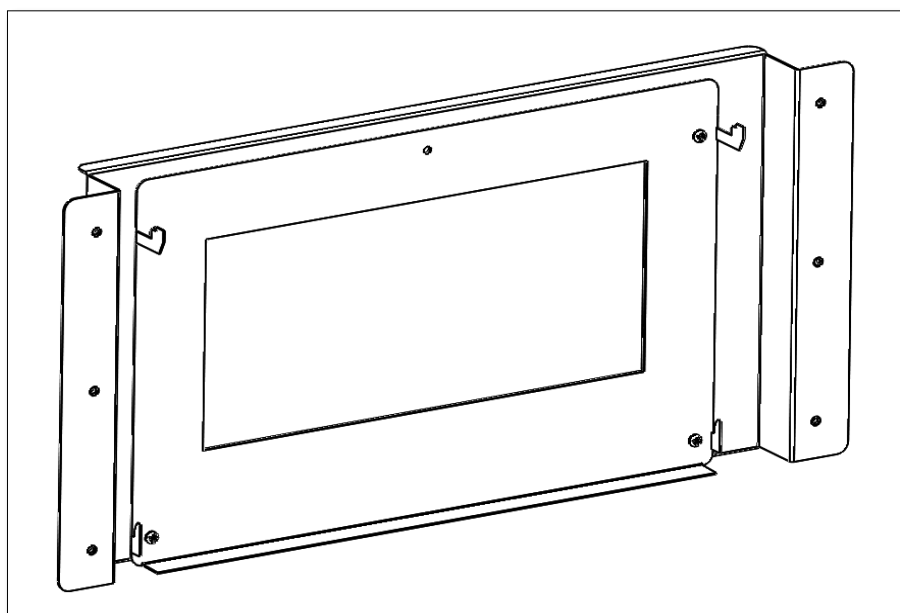


6

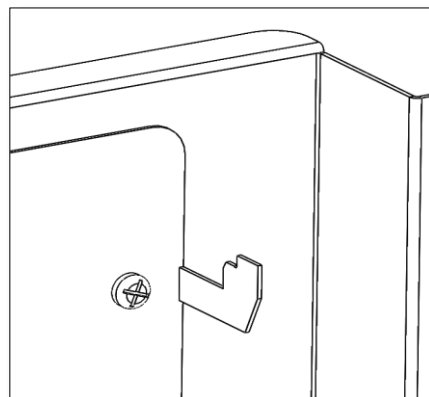
APTUS DISPLAY MOUNTING INSTRUCTION



APTUS DISPLAY MOUNTING INSTRUCTION

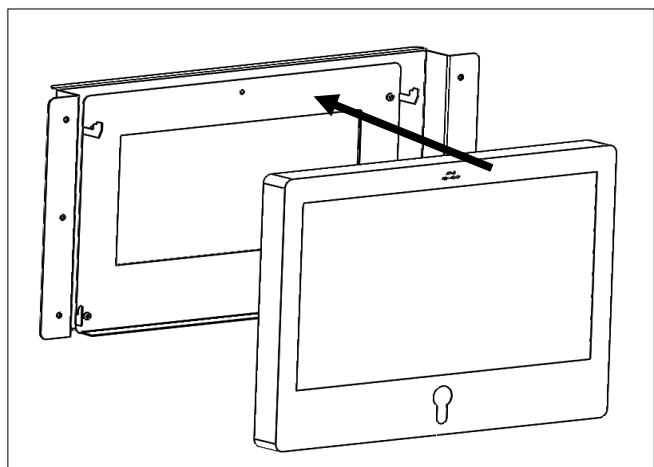


4 PCS OF M5 SCREW

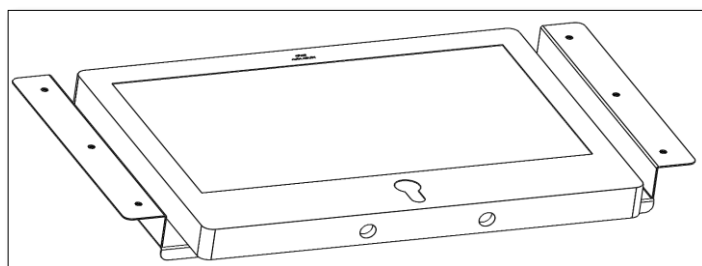


10

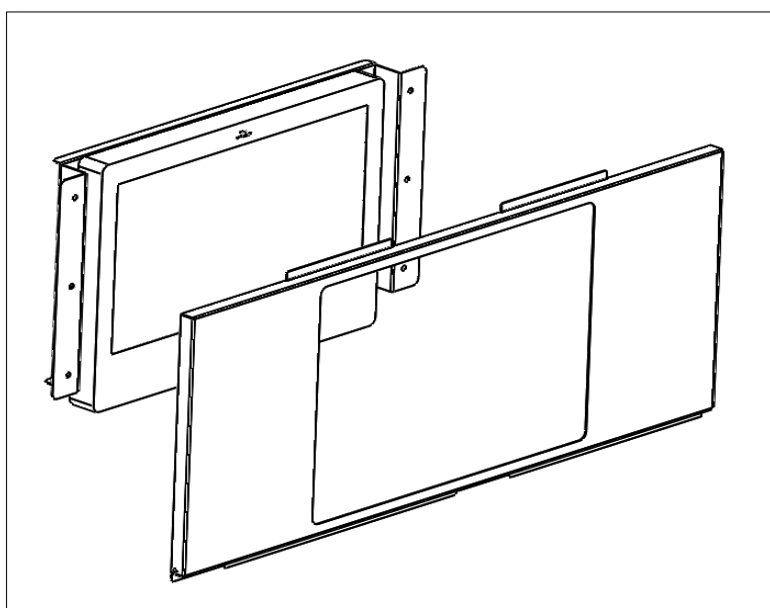
INSTALL DISPLAY AGERA 22 ON ORIGINAL BACK PLATE
THEN WHOLE SET INSTAL TO FRONT PANEL



PROTECT THE DISPLAY WITH SCREWS FROM BOTTOM



11



12